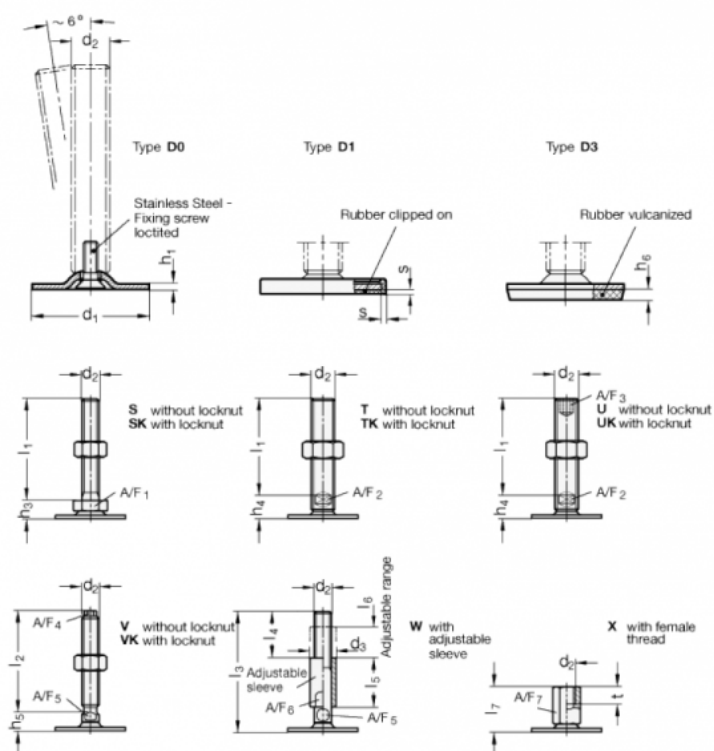


Article number: 204180M20150D0T
 Description: E+G levelling foot
 GN 41-80-M20-150-D0-T
 Note: T Without nut, Wrench flat at the bottom

Measures



A/F2 = 15
 d1 = 80
 d2 = M20
 h1 = 3
 h4 = 18
 h6 =
 l1 = 150
 s =